

MC44306

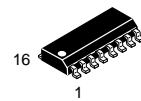
Advance Information Demodulator

The MC44306 is an IF amplifier and mixer circuit intended for demodulation of QAM, VSB or GPSK digitally modulated signals. Great care was applied to this design to provide the best possible linearity, bandwidth.

- 60 dB Voltage Gain IF Amplifier
- 10 MHz Detectors for QAM, VSB or Analog Signals
- Complementary Buffered Mixer Outputs
- Continuous AGC with Adjustable Delay for RF Stage
- Oscillator at "Half IF" to Minimize Spurious Feedback
- VCO Frequency Range 35 to 55 MHz

IF AMPLIFIER AND DEMODULATOR

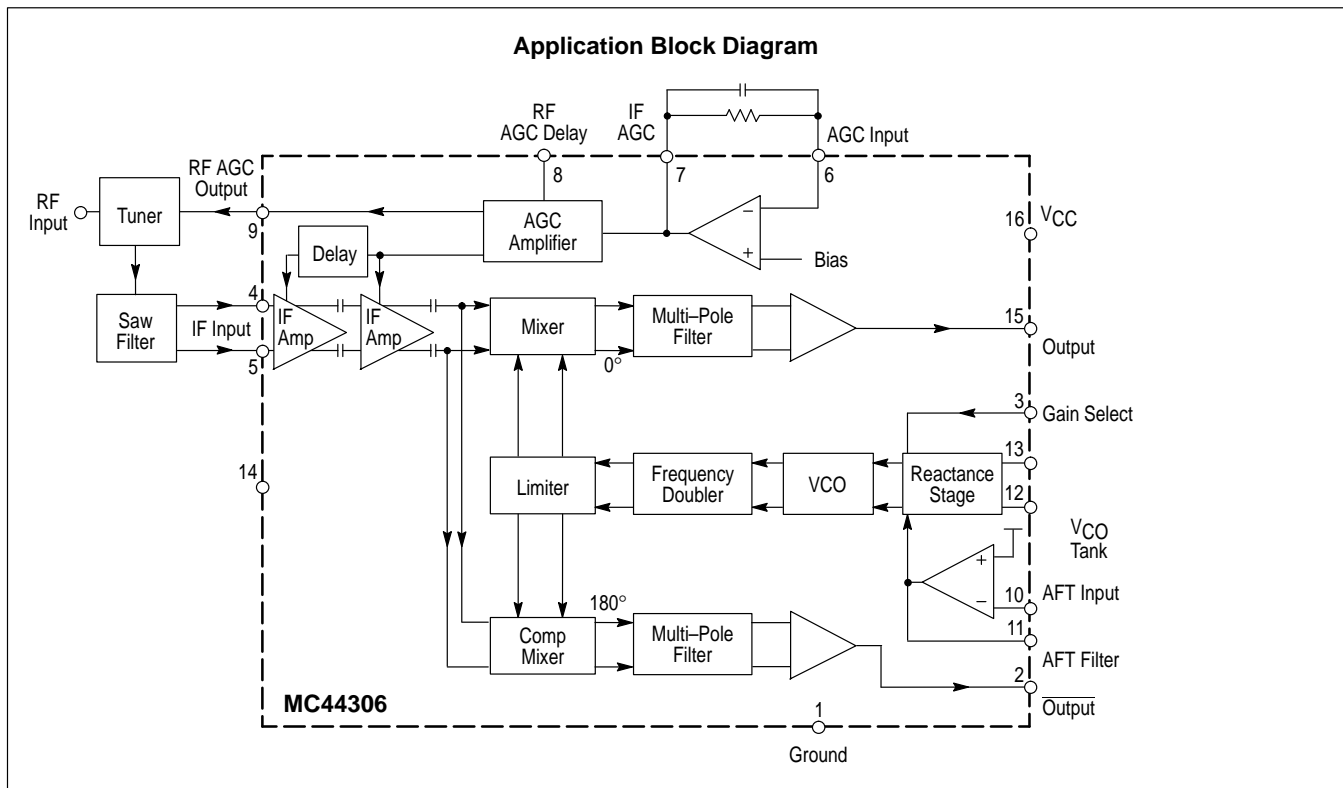
SEMICONDUCTOR TECHNICAL DATA



D SUFFIX
PLASTIC PACKAGE
CASE 751B
(SO-16)

ORDERING INFORMATION

Device	Temperature Range	Package
MC44306D	0° to +70°C	SO-16



MC44306

MAXIMUM RATINGS

Rating	Symbol	Value	Unit
Power Supply Voltage	V_{CC}	7.0	V
Input Voltage Range IF Input, AGC Input, AFT Input, Gain Select, RF AGC Delay, Quadrature Adjust	V_{in}	-0.5 to V_{CC}	V
VCO Coil Voltage	VCO	V_{CC}	V
Output Current Outputs RF AGC, Internally Limited	-	15 2.0	mA
Power Dissipation at $T_A = 70^\circ\text{C}$	P_D $R_{\theta JA}$	800 100	mW $^\circ\text{C/W}$
Operating Junction Temperature	T_J	+150	$^\circ\text{C}$
Operating Ambient Temperature	T_A	0 to +70	$^\circ\text{C}$

NOTE: ESD data available upon request.

ELECTRICAL CHARACTERISTICS ($V_{CC} = 5.0\text{ V}$, $T_A = 25^\circ\text{C}$, $f_{IF} = 44\text{ MHz}$, $f_{VCO} = 22\text{ MHz}$, unless otherwise noted.)

Characteristic	Symbol	Typ	Unit
----------------	--------	-----	------

IF AMPLIFIER

Differential Input Impedance	R_{in} C_{in}	2.0 3.0	$k\Omega$ pF
Differential Input for Full Output – 1.0 Vpp	V_{in}	0.6	mVrms
Automatic Gain Control Range	AGC	60	dB
Noise Figure (IF Input, Sourced by $900\ \Omega$ in Parallel with 5.0 pF)	NF	5.0	dB
Bandwidth (Lower and Upper Limits) IF Amplifier	BW	35 to 120	MHz

DETECTORS

Output Voltage $R_L \geq 1.0\ k\Omega$	-	2.0	Vpp
Distortion (CW Input 5.0 mVrms, VCO Unlocked, Adjust AGC for 2.0 Vpp Output Beat Note), all Harmonics	THD	2.0 -34	% dB
Flatness ($f_{MOD} = 0$ to 2.5 MHz)	-	0.5	dB
Relative Group Delay	-	5.0	ns
Output 3.0 dB Bandwidth	BW	10	MHz
Spurious and IF Harmonics (Ref. to 2.0 Vpp Output)	-	-40	dB

AGC

RF AGC Output (Sink)	-	2.0	mA
RF AGC Delay Voltage Range	-	1.7 to 2.4	V

AFT (Pulse Width Modulator AFT Input 0.5 V or Open)

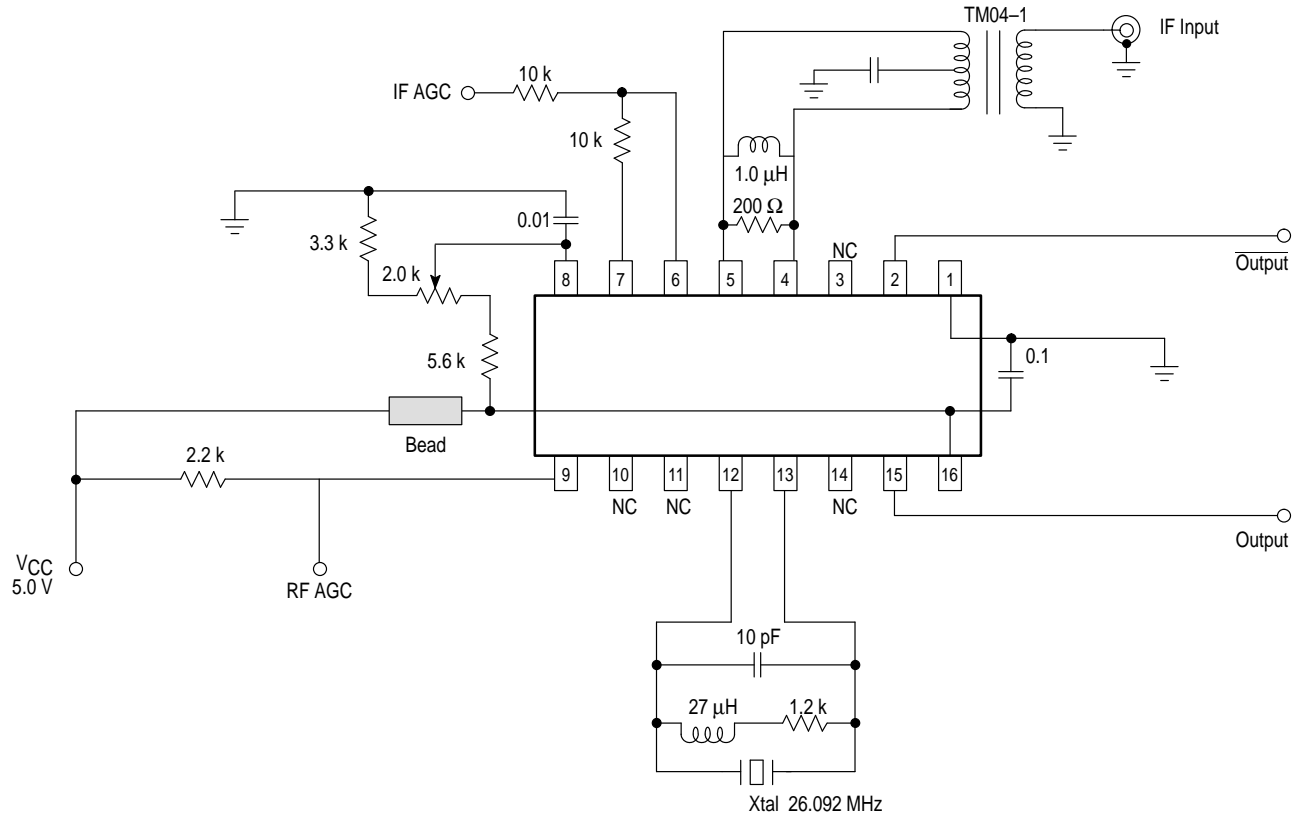
PWM Frequency	-	5.0	MHz
---------------	---	-----	-----

VCO

Tuning Range Gain Select Pulled-Up with 2.0 $k\Omega$ R Gain Select Open	-	1.0 100	MHz kHz
Tuning Voltage	-	0.5 to 4.5	V
Phase Noise 10 kHz 1.0 kHz	-	-95 -80	dB

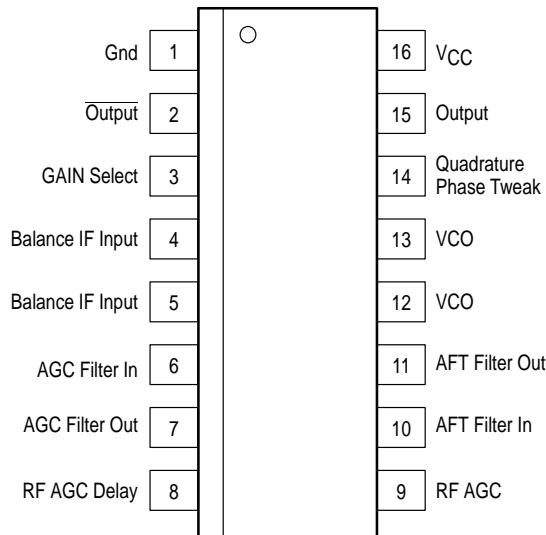
MC44306

Figure 1. MC44306 Test Circuit



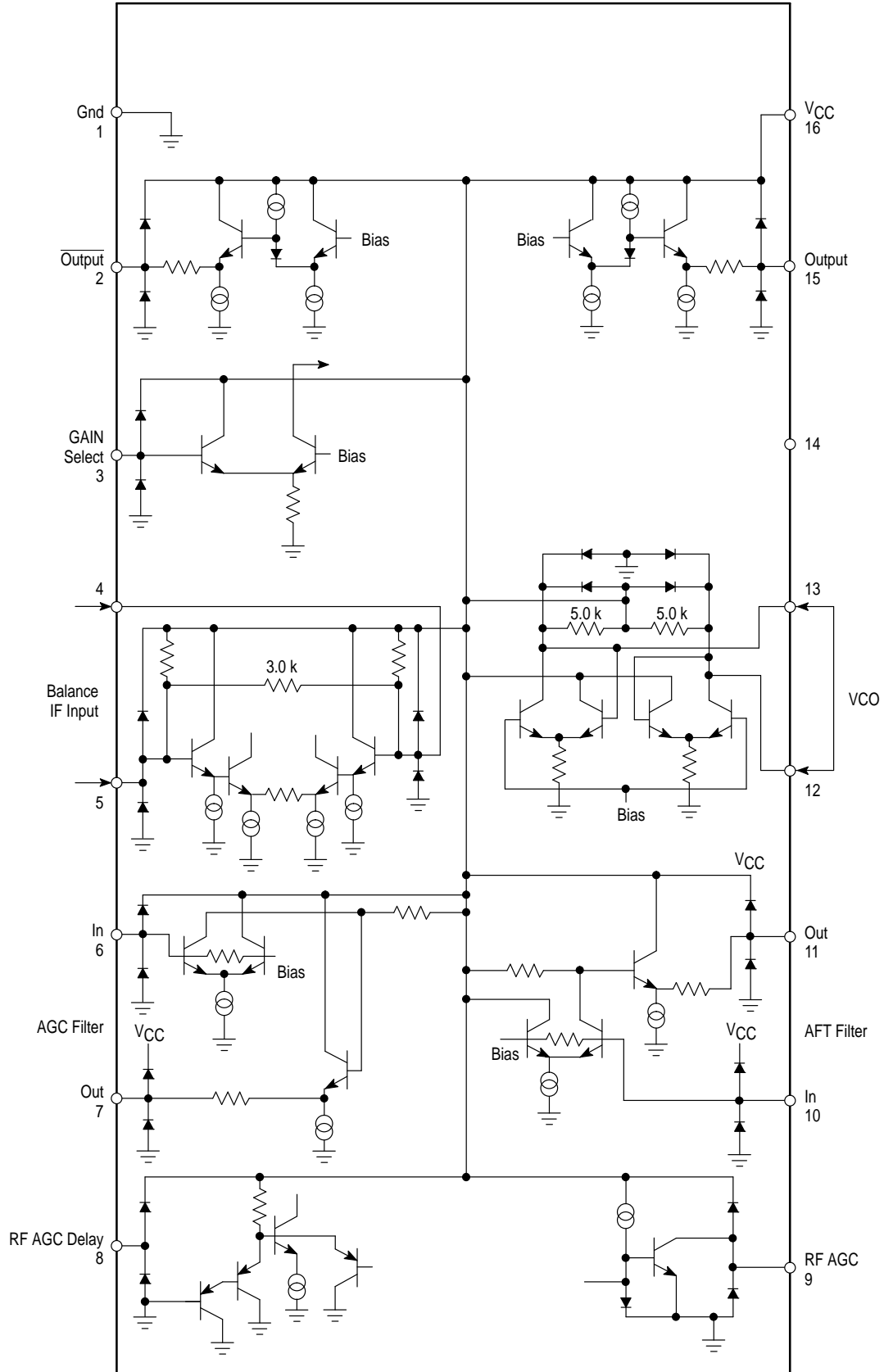
PIN CONNECTIONS

(Top View)



MC44306

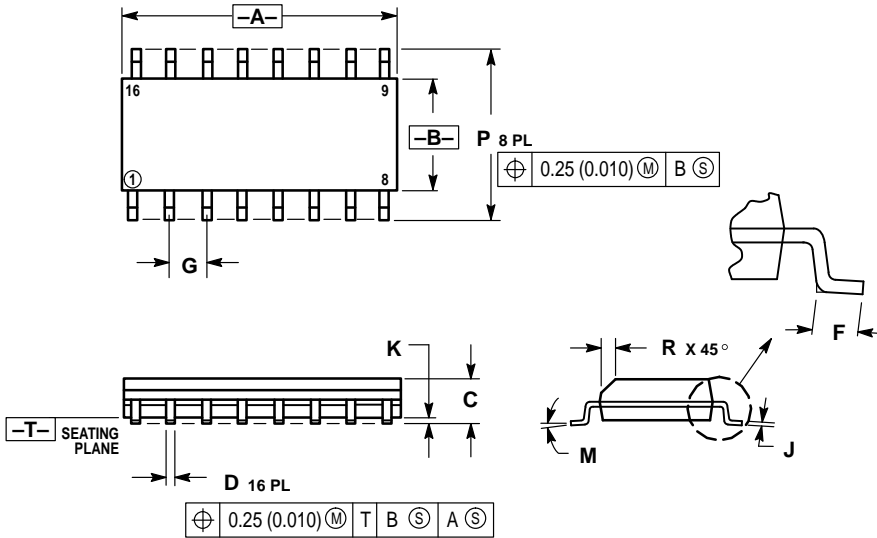
Figure 2. MC44306 Pin Schematic



MC44306

OUTLINE DIMENSIONS

D SUFFIX
PLASTIC PACKAGE
CASE 751B-05
(SO-16)
ISSUE J



- NOTES:
1. DIMENSIONING AND TOLERANCING PER ANSI Y14.5M, 1982.
 2. CONTROLLING DIMENSION: MILLIMETER.
 3. DIMENSIONS A AND B DO NOT INCLUDE MOLD PROTRUSION.
 4. MAXIMUM MOLD PROTRUSION 0.15 (0.006) PER SIDE.
 5. DIMENSION D DOES NOT INCLUDE DAMBAR PROTRUSION. ALLOWABLE DAMBAR PROTRUSION SHALL BE 0.127 (0.005) TOTAL IN EXCESS OF THE D DIMENSION AT MAXIMUM MATERIAL CONDITION.

DIM	MILLIMETERS		INCHES	
	MIN	MAX	MIN	MAX
A	9.80	10.00	0.386	0.393
B	3.80	4.00	0.150	0.157
C	1.35	1.75	0.054	0.068
D	0.35	0.49	0.014	0.019
F	0.40	1.25	0.016	0.049
G	1.27 BSC		0.050 BSC	
J	0.19	0.25	0.008	0.009
K	0.10	0.25	0.004	0.009
M	0°	7°	0°	7°
P	5.80	6.20	0.229	0.244
R	0.25	0.50	0.010	0.019

Motorola reserves the right to make changes without further notice to any products herein. Motorola makes no warranty, representation or guarantee regarding the suitability of its products for any particular purpose, nor does Motorola assume any liability arising out of the application or use of any product or circuit, and specifically disclaims any and all liability, including without limitation consequential or incidental damages. "Typical" parameters which may be provided in Motorola data sheets and/or specifications can and do vary in different applications and actual performance may vary over time. All operating parameters, including "Typicals" must be validated for each customer application by customer's technical experts. Motorola does not convey any license under its patent rights nor the rights of others. Motorola products are not designed, intended, or authorized for use as components in systems intended for surgical implant into the body, or other applications intended to support or sustain life, or for any other application in which the failure of the Motorola product could create a situation where personal injury or death may occur. Should Buyer purchase or use Motorola products for any such unintended or unauthorized application, Buyer shall indemnify and hold Motorola and its officers, employees, subsidiaries, affiliates, and distributors harmless against all claims, costs, damages, and expenses, and reasonable attorney fees arising out of, directly or indirectly, any claim of personal injury or death associated with such unintended or unauthorized use, even if such claim alleges that Motorola was negligent regarding the design or manufacture of the part. Motorola and are registered trademarks of Motorola, Inc. Motorola, Inc. is an Equal Opportunity/Affirmative Action Employer.

Mfax is a trademark of Motorola, Inc.

How to reach us:

USA/EUROPE/Locations Not Listed: Motorola Literature Distribution;
 P.O. Box 5405, Denver, Colorado 80217. 1-303-675-2140 or 1-800-441-2447

JAPAN: Motorola Japan Ltd.; SPD, Strategic Planning Office, 141,
 4-32-1 Nishi-Gotanda, Shinagawa-ku, Tokyo, Japan. 81-3-5487-8488

Customer Focus Center: 1-800-521-6274

Mfax™: RMFAX0@email.sps.mot.com – TOUCHTONE 1-602-244-6609
 Motorola Fax Back System – US & Canada ONLY 1-800-774-1848
 – http://sps.motorola.com/mfax/

ASIA/PACIFIC: Motorola Semiconductors H.K. Ltd.; 8B Tai Ping Industrial Park,
 51 Ting Kok Road, Tai Po, N.T., Hong Kong. 852-26629298

HOME PAGE: <http://motorola.com/sps/>

